

Easy Wood Plans

www.easywoodplans.com

#B, 2316-27Ave.N.E.
Calgary, Alberta
Canada, T2E 7M1

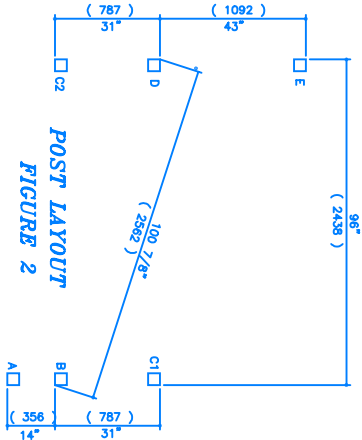
NOTICE

The purchaser agrees when purchasing this plan (the "Plan"): 1) the purchaser has acquired the right to build or construct the project or project set out in the Plan for personal use only and not for any commercial use. 2) reproduction of the Plan in whole or in part by any means whatsoever is strictly prohibited. The Handyman should not be liable for any willful misuse or negligent use of this plan, the Project or any tools used to construct the Project or for any loss or damage resulting therefrom.

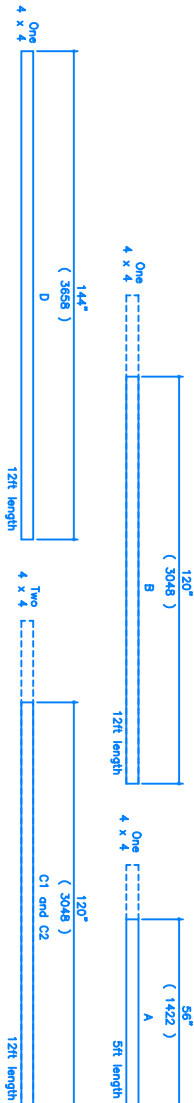
Directions

- Lay out your material as outlined in the suggested materials layout (Fig 1). Draw out all parts exactly as illustrated, including the letter designations, in pencil. Do not cut or drill posts until they are firmly cemented in the ground. Ensure to leave a small space between cut lines to allow for the width of the saw. Before cutting, double check all measurements to ensure that they are correct. Always cut on the waste side of the line. 2) Level a patch of ground and dig the six 42" deep holes for the posts as shown (Fig 2) with a post hole auger.
- Place post D in it's hole, tamp in 32" of soil, leaving a foot for the concrete. Ensure the post is plumb and square to the other holes, and pour in cement. Mix the concrete according to manufacturer's instructions. This post is the one that all other measurements will be taken from. Allow the concrete to set overnight.
- Place the rest of the posts in their holes. Tack pieces G between pieces B and C2, and D and C1, to ensure correct spacing. Nail a straight piece of wood on the outside edges of C2, D, and E to ensure correct spacing. Do the same on the outside edges of A, B, and C1. Ensure all posts are plumb and square, fill with 32" of soil, tamp and cement the five posts in place.
- Measure up 78" from ground level on piece D and make a visible mark. Use a level and piece G to make a similar mark on piece C1, the mark on C1 level with the mark on D. Make a similar mark on piece B, using a level to make the mark level to the mark on C1. Using piece G again, make the level mark on piece C2 level with the mark on B. To check your procedure, ensure the mark on C2 is level with the original mark on D that you started with. If this is correct, cut off posts B, C1 and C2 at their marks.
- Measure 18" up from your first mark on piece D and make another mark. Using a level, make a similar mark on post E. Cut off posts D and E at these marks.
- Measure down 56" from the top of post B and make a mark. Using a level, make a similar mark on post A. Cut off post A at the mark.
- Using a 1" bit, drill the holes through posts A, C1, and C2 as shown in figures 3 and 4. Drill holes 1 3/4" deep in posts B and D, ensuring the holes are on the inside edges in relation to posts A, C1, and C2. Always measure from the tops of the posts to ensure your holes are going in level.

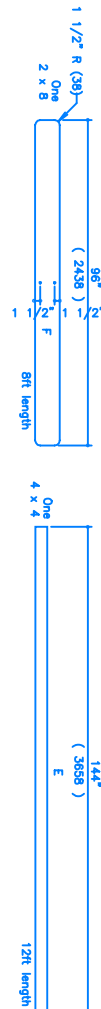
OVER



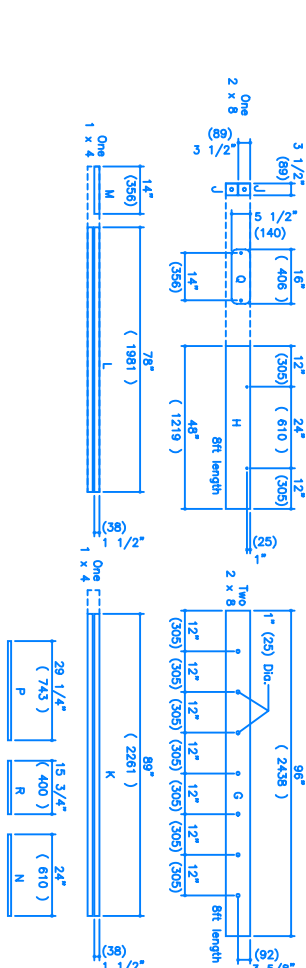
POST LAYOUT
FIGURE 2



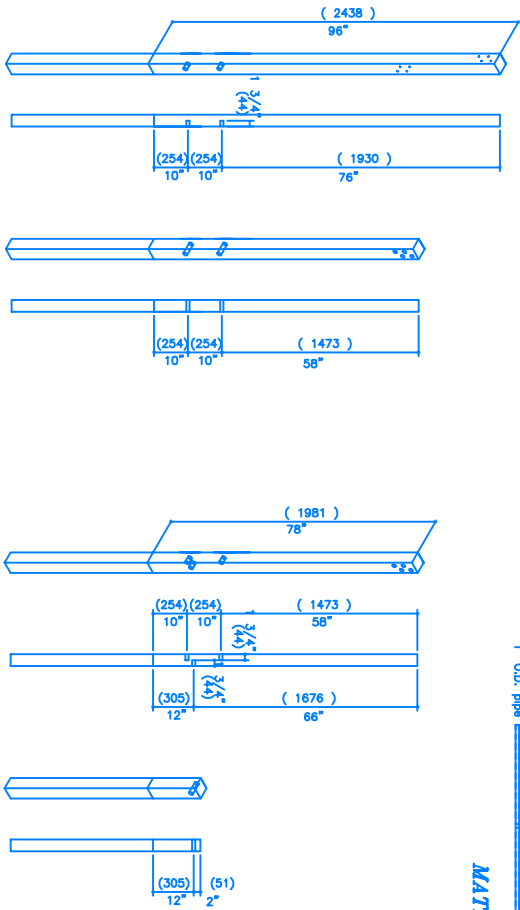
POST A
FIGURE 3



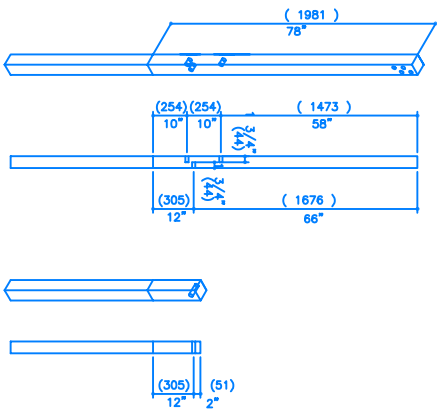
POST B
FIGURE 4



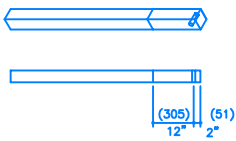
MATERIAL LAYOUT
FIGURE 1



POST C1 & C2
FIGURE 4



POST D
FIGURE 2



POST A
FIGURE 3

MATERIALS LIST

One 5' 4x4 (3 1/2" x 3 1/2") treated post
Five 12' 4x4 (3 1/2" x 3 1/2") treated posts
Four 8' 2x8 (1 1/2" x 1 1/2")
Two 8' 1x4 (3/4" x 3 1/2")
Twenty four 5x5/16" carriage bolts
Two 3x5/16" carriage bolts
Twelve bags concrete

MATERIALS LIST

Exterior stain
Three 10" OD pipe
Approx. 1/2 lb. fifty 2" nails
Sandpaper
Two 6" metal handles and mounting hardware

TOOLS

Circular Saw
Pencil and Measuring Tape
Power Sander
Power Drill
Hammer and Square
Shovel and Posthole Auger
Wheelbarrow to mix Concrete
Adjustable Wrench and Pipe Cutter